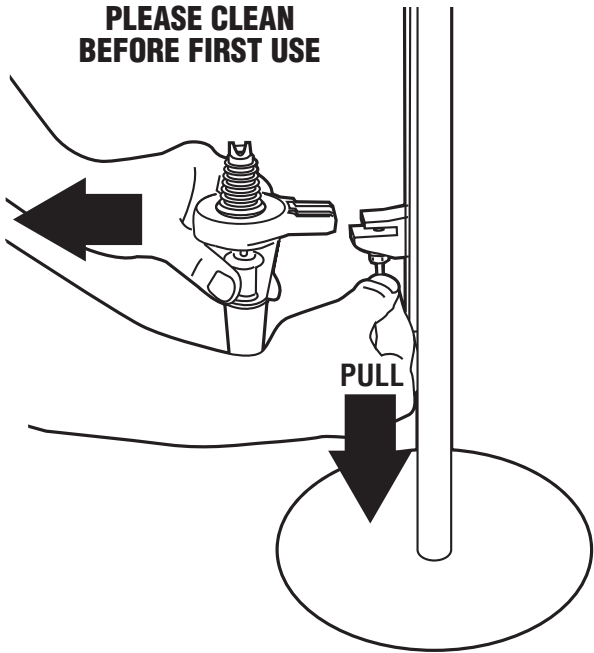
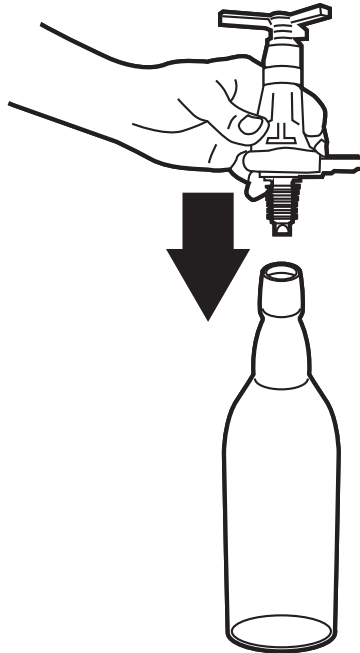


BAR BUTLER™ SET-UP INSTRUCTIONS

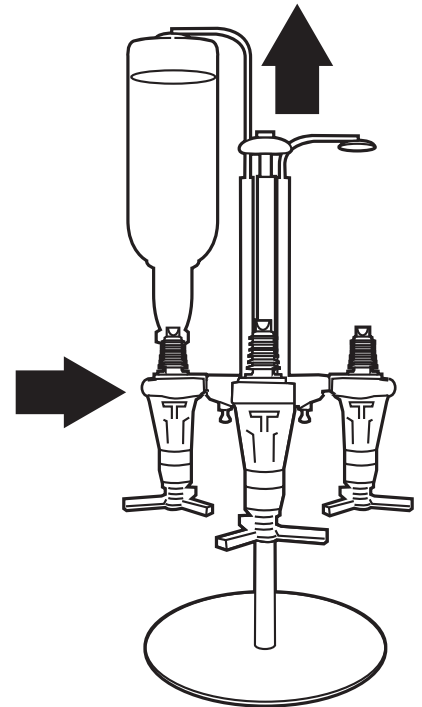
1 REMOVE STOPPER



2 INSERT FIRMLY



3 RETURN STOPPER



CLEANING YOUR BAR BUTLER™

For best performance you may wish to clean your Bar Butler when switching bottles or if performance decreases due to dry or thickened liquids.

Wash with warm water only. The Bar Butler is **NOT** dishwasher safe.

1 Twist plastic locking ring to open.

Be sure to properly thread the plastic ring when closing to ensure a water-tight seal. Avoid over tightening

2 Rubber stopper may also be removed for cleaning.

Be sure to push stopper all the way to the bottom when replacing to ensure a water-tight seal.

