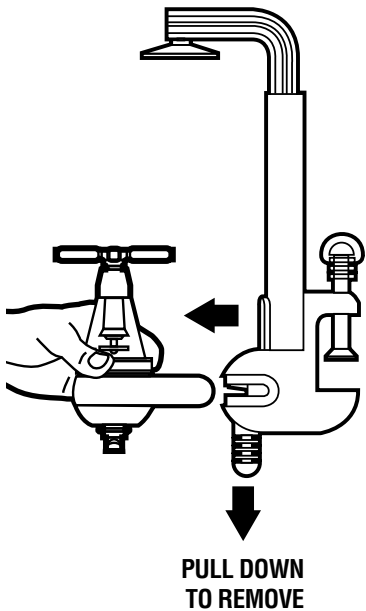


BAR BUTLER™ WALL MOUNTING INSTRUCTION SHEET

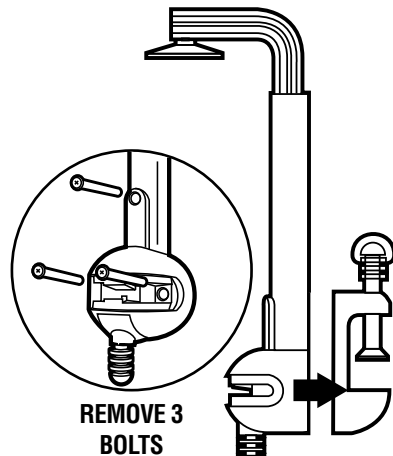
(CLAMP MOUNTING INSTRUCTIONS ON OTHER SIDE)

**PLEASE WASH STOPPER
IN WARM SOAPY WATER
BEFORE FIRST USE**

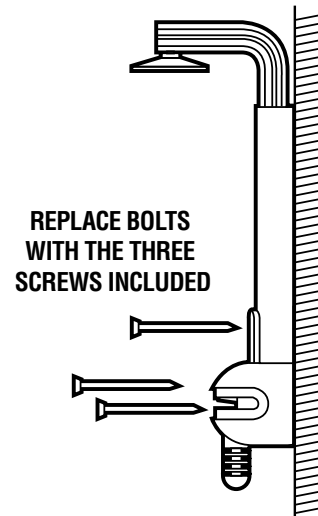
1 UNPACK STOPPER*



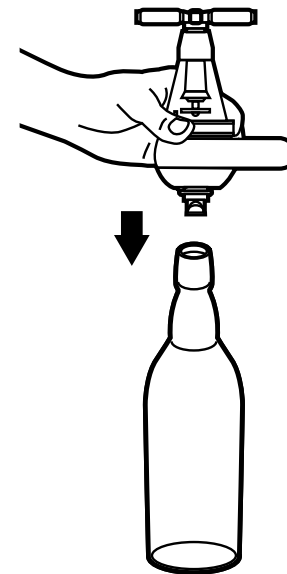
2 REMOVE CLAMP



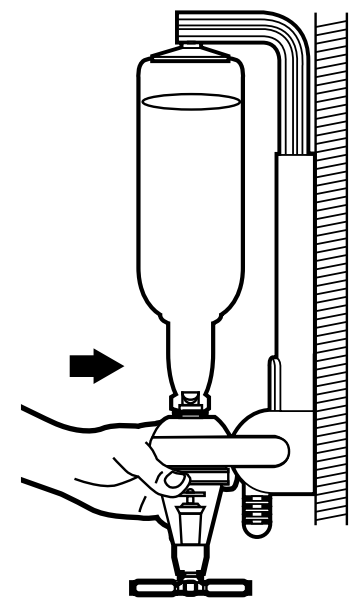
3 MOUNT TO WALL



4 INSERT FIRMLY



5 RETURN STOPPER



*NOTE: UNIT SHIPS WITH STOPPER
PACKED UPSIDE DOWN

